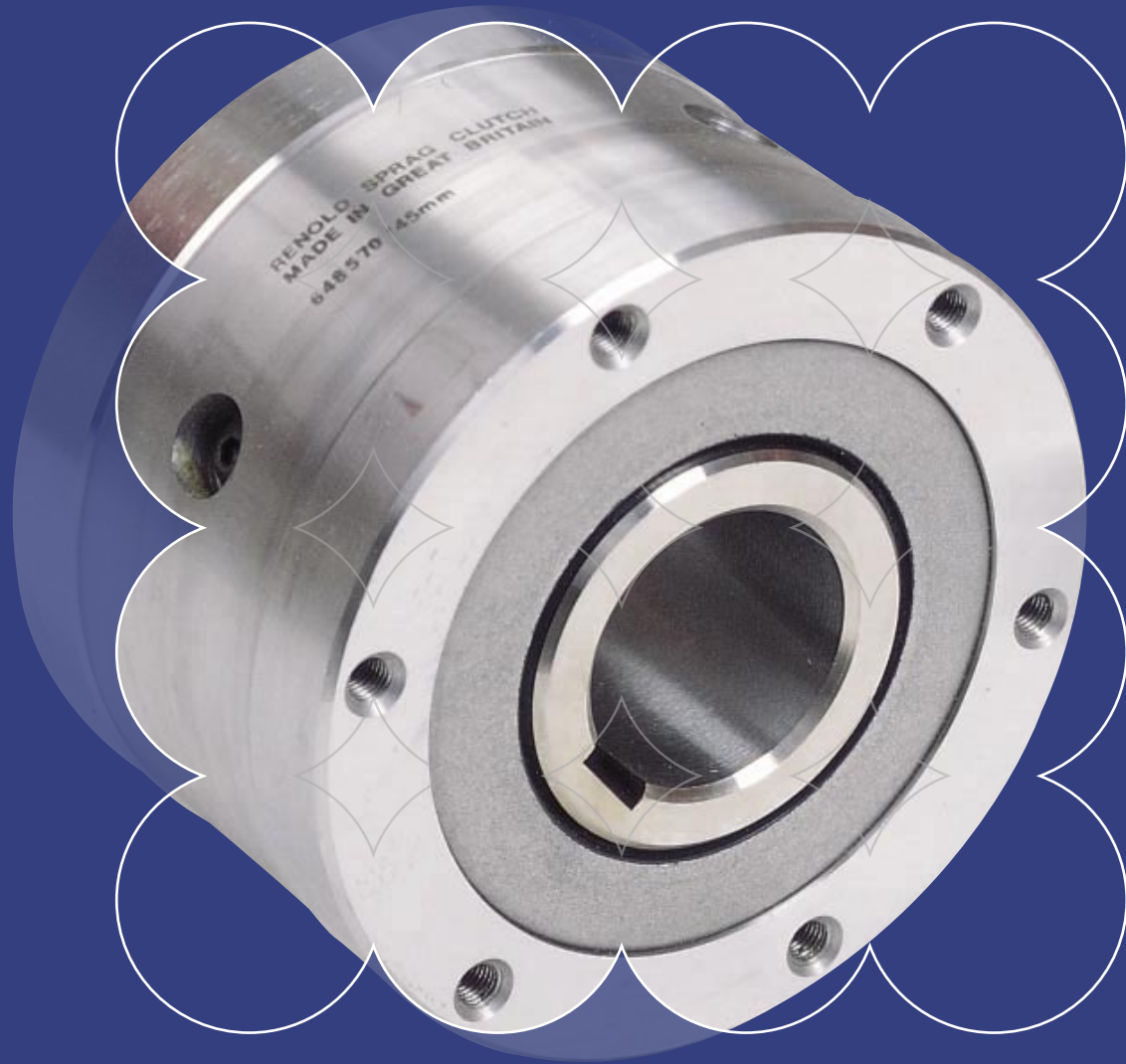


Freewheels

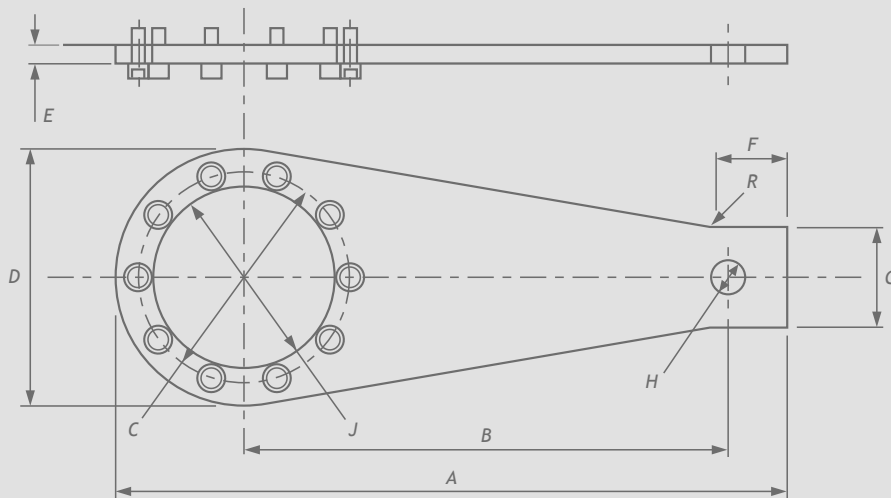
50 Sprag Clutch Torque Arms



RENOLD
Superior Freewheel Technology

www.renold.com

Renold SO Sprag Clutch TARM Torque Arm



Renold SO Sprag Clutch TARM Torque Arms are made specifically for use in conjunction with Renold SO sprag clutch freewheels.

The use of the TARM Torque Arms with any SO sprag clutch facilitates the use of a standard freewheel clutch as a backstop. The TRAM torque arm range has been designed to fit SO clutch sizes 300 through to 1027.

The TARM torque arm is fastened to the end face of the sprag clutch using bolts but must be free of any rigid fixing at the chosen anchor point. Rotation of the TARM torque arm should be restricted at the anchor point by either a pin or an angle bracket. The TARM torque arm must also be free to move axially to prevent damage to the bearings in the SO clutch.

When using a pin at the anchor point, the diameter of the pin must be at least 1/32" (0.8mm) smaller than the pin hole (*H*) in the TARM torque arm.

Ordering code

SCSO XXX TARM

Clutch Size

Clutch Size	A mm (in)	B mm (in)	C mm (in)	D mm (in)	E mm (in)	F mm (in)	G mm (in)	H mm (in)	J mm (in)	No of Bolts
300	244.6 (9.63)	181.1 (7.13)	66.5 (2.62)	76.3 (3.00)	9.6 (0.38)	38.1 (1.50)	38.1 (1.50)	19.0 (0.75)	31.8 (1.25)	4
400	244.6 (9.63)	181.1 (7.13)	72.8 (2.87)	88.9 (3.50)	9.6 (0.38)	38.1 (1.50)	38.1 (1.50)	19.0 (0.75)	31.8 (1.25)	4
500	330.2 (13.00)	244.6 (9.63)	91.9 (3.62)	108.2 (4.26)	9.6 (0.38)	57.1 (2.25)	57.1 (2.25)	24.5 (1.00)	45.7 (1.80)	4
600	406.4 (16.00)	301.7 (11.88)	120.8 (4.75)	136.1 (5.36)	9.6 (0.38)	63.5 (2.50)	36.5 (2.50)	25.4 (1.00)	61.7 (2.43)	6
700	533.4 (21.00)	400.0 (15.75)	158.7 (6.25)	181.9 (7.16)	12.7 (0.50)	76.2 (3.00)	76.2 (3.00)	31.8 (1.25)	107.9 (4.25)	8
750	566.6 (22.31)	387.4 (15.25)	177.8 (7.00)	222.5 (8.76)	12.7 (0.50)	73.9 (2.91)	111.2 (4.38)	31.8 (1.25)	139.7 (5.50)	8
800	670.8 (26.41)	473.2 (18.63)	227.0 (8.94)	254.0 (10.00)	12.7 (0.50)	90.4 (3.56)	120.7 (4.75)	31.8 (1.25)	171.5 (6.75)	8
900	805.8 (31.72)	581.1 (22.88)	247.6 (9.75)	304.8 (12.00)	22.3 (0.88)	85.9 (3.38)	120.7 (4.75)	38.1 (1.50)	215.9 (8.50)	10
1027	850.9 (33.50)	584.2 (23.00)	298.5 (11.75)	381.0 (15.00)	22.3 (0.88)	85.9 (3.38)	133.3 (5.25)	44.5 (1.75)	266.7 (10.50)	12